

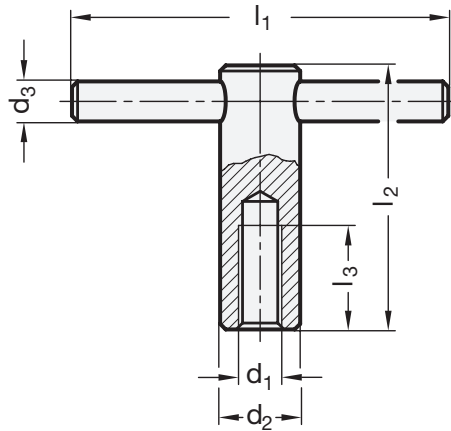


Clamping levers 3

## Tommy nuts with fixed bar

### SPECIFICATION

Steel  
Tensile strength class 5  
blackened



### DIN 6305

| Description  | d1   | d2 | d3 | l1  | l2 | l3 min. | △   |
|--------------|------|----|----|-----|----|---------|-----|
| DIN 6305-M10 | M 10 | 18 | 8  | 80  | 60 | 20      | 129 |
| DIN 6305-M12 | M 12 | 20 | 10 | 100 | 70 | 25      | 194 |
| DIN 6305-M16 | M 16 | 24 | 12 | 120 | 85 | 35      | 322 |
| DIN 6305-M20 | M 20 | 30 | 16 | 140 | 95 | 40      | 589 |